

**340KHz, 3A, Asynchronous Step-Down Regulator**

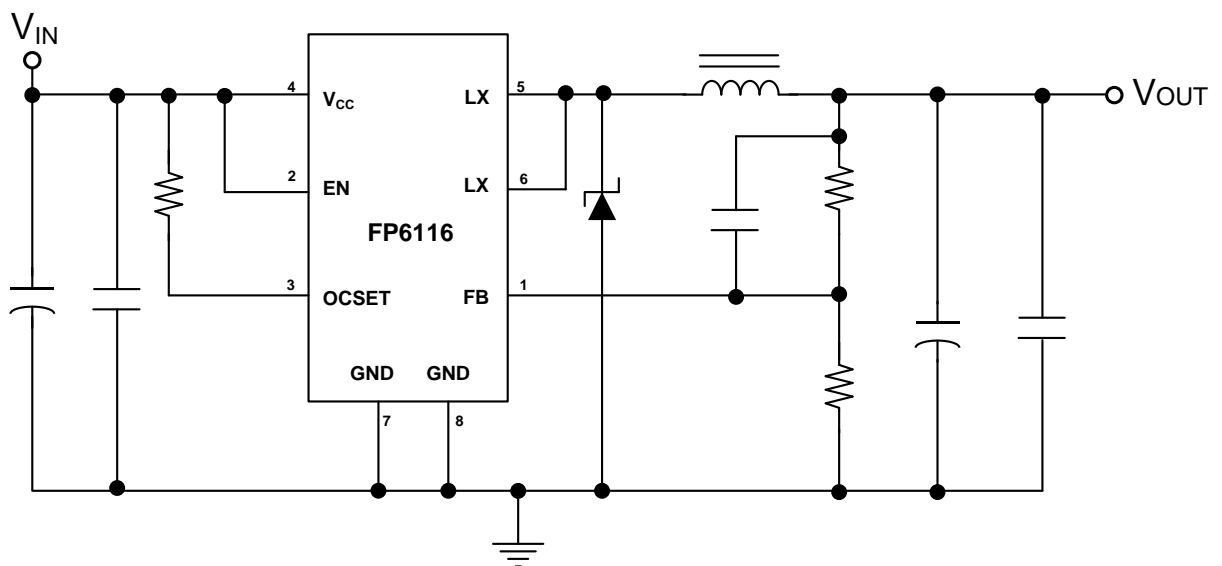

### General Description

The FP6116 is a buck switching regulator for wide operating voltage application fields. The FP6116 includes a high current P-MOSFET, a high precision reference (0.8V) for comparing output voltage with a feedback amplifier, an internal soft start timer and dead-time controller. The oscillator is for controlling the maximum duty cycle and PWM frequency.

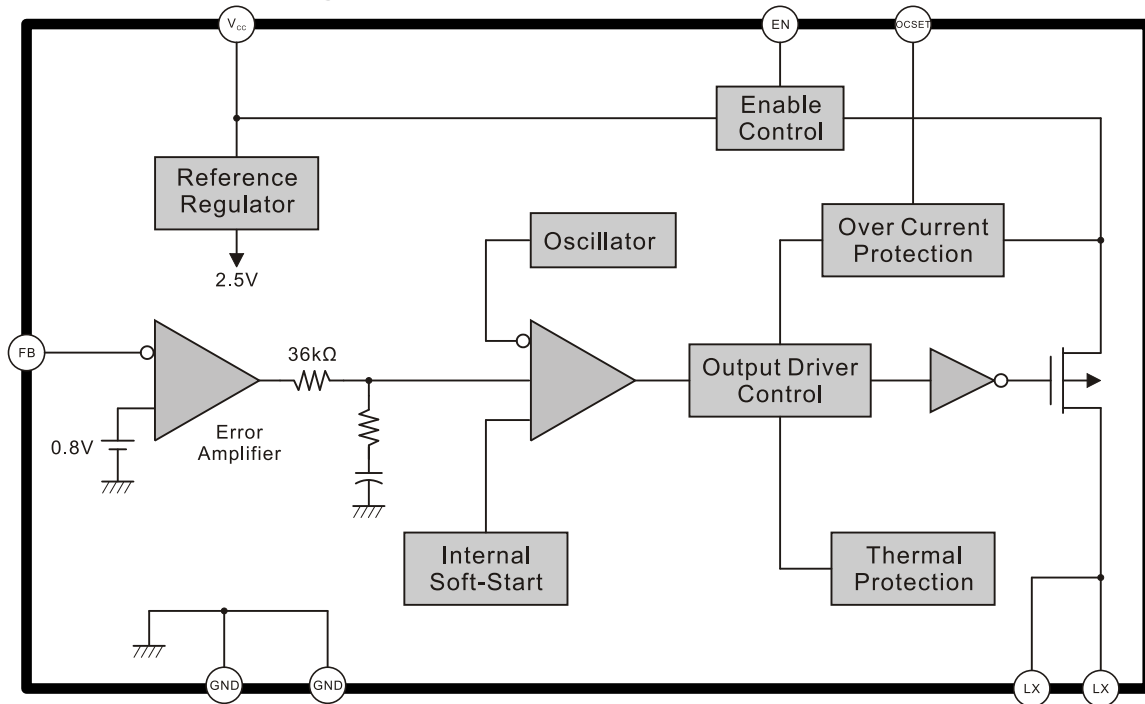
### Features

- Precision Feedback Reference Voltage: 0.8V (2%)
- Wide Supply Voltage Operating Range: 3.6 to 23V
- Output Adjustable From 0.8V to 16V
- Low Current Consumption: 3mA
- Internal Fixed Oscillator Frequency: 340KHz (Typ.)
- Internal Soft-Start Function (SS)
- Built-In P-MOSFET for 3A Output Loading
- Over Current Protection
- Package: SOP-8L

### Typical Application Circuit

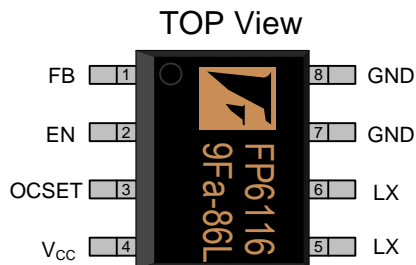


## Function Block Diagram



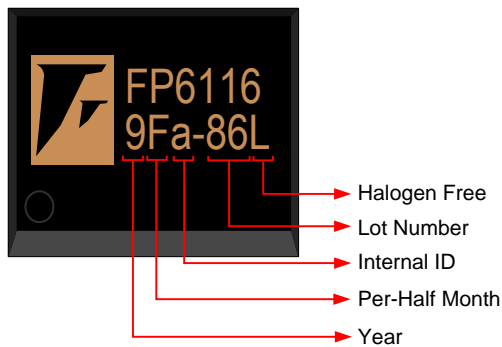
## Pin Descriptions

### SOP-8L



Name	No.	I / O	Description
FB	1	I	Error Amplifier Inverting Input
EN	2	I	Enable Control
OCSET	3	I	Set Switch Output Over Current
V <sub>cc</sub>	4	P	IC Power Supply (PMOS Source)
LX	5	O	PMOS High Current Output
LX	6	O	PMOS High Current Output
GND	7	P	IC Ground
GND	8	P	IC Ground

## Marking Information



**Halogen Free:** Halogen free product indicator

**Lot Number:** Wafer lot number's last two digits

For Example: 1323~~86~~TB → 86

**Internal ID:** Internal Identification Code

**Per-Half Month:** Production period indicated in half month time unit

For Example: January → A (Front Half Month), B (Last Half Month)

February → C (Front Half Month), D (Last Half Month)

**Year:** Production year's last digit

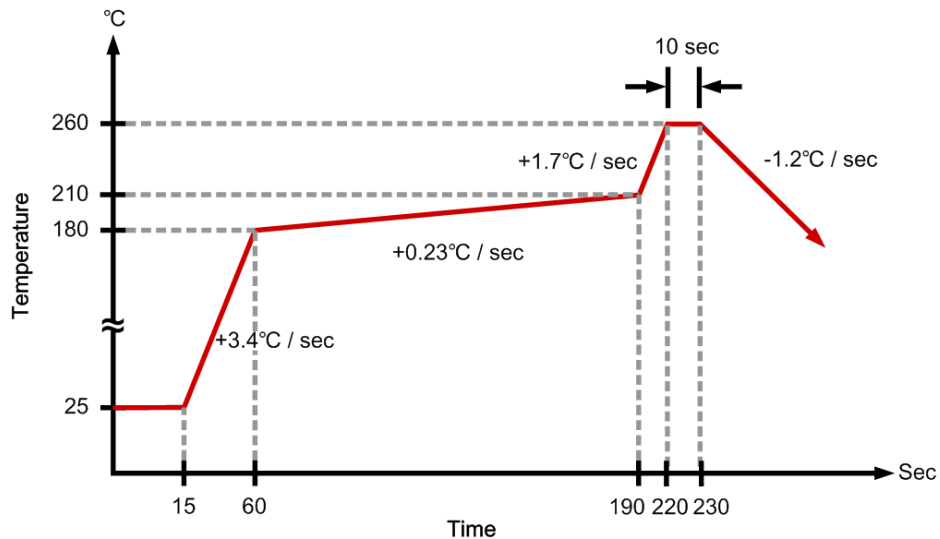
## Ordering Information

Part Number	Operating Temperature	Package	MOQ	Description
FP6116DR-G1	-25°C ~ +85°C	SOP-8L	2500 EA	Tape & Reel

## Absolute Maximum Ratings

Parameter	Symbol	Conditions	Min.	Typ.	Max.	Unit
Power Supply Voltage	V <sub>CC</sub>				23	V
Output Source Current					5	A
Error Amplifier Inverting Input			-0.3		1.2	V
Allowable Power Dissipation	P <sub>D</sub>	SOP-8L T <sub>A</sub> ≤ +25°C			650	mW
Thermal Resistance	θ <sub>JA</sub>	SOP-8L			+110	°C / W
	θ <sub>JC</sub>				+55	°C / W
Operating Temperature			-25		+85	°C
ESD Susceptibility		HBM (Human Body Mode)			2	KV
		MM (Machine Mode)			200	V
Junction Temperature	T <sub>J</sub>				+150	°C
Storage Temperature	T <sub>S</sub>	SOP-8L	-55		+150	°C
SOP-8L Lead Temperature		(soldering, 10 sec)			+260	°C

## IR Re-flow Soldering Curve



This datasheet contains new product information. Feeling Technology reserves the rights to modify the product specification without notice. No liability is assumed as a result of the use of this product. No rights under any patent accompany the sales of the product.

## Recommended Operating Conditions

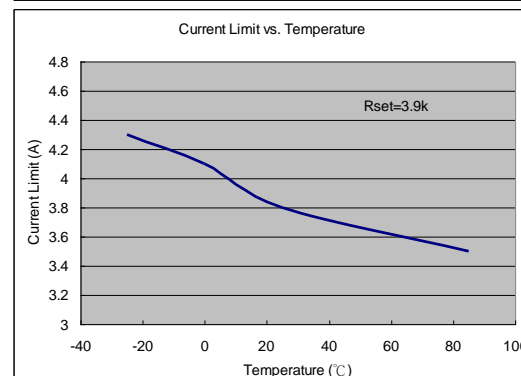
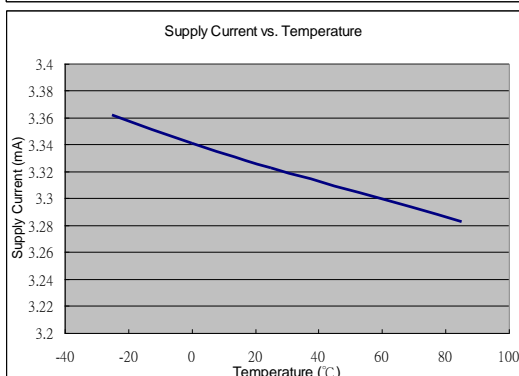
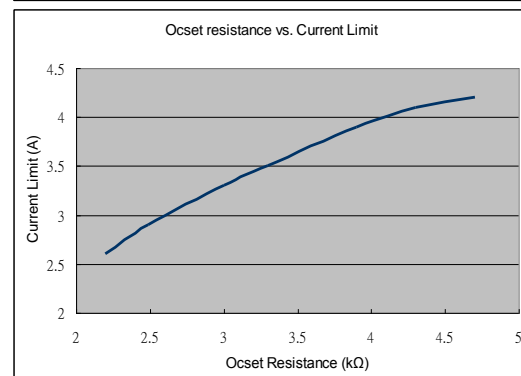
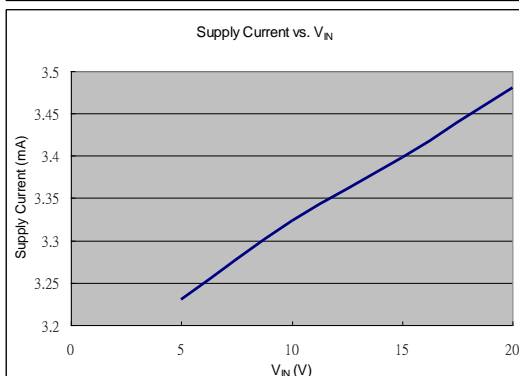
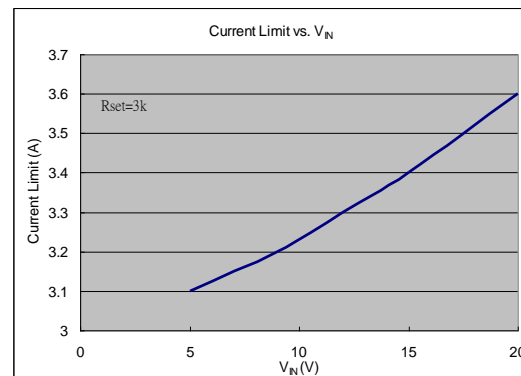
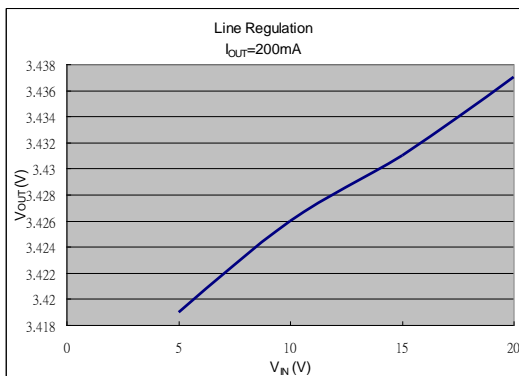
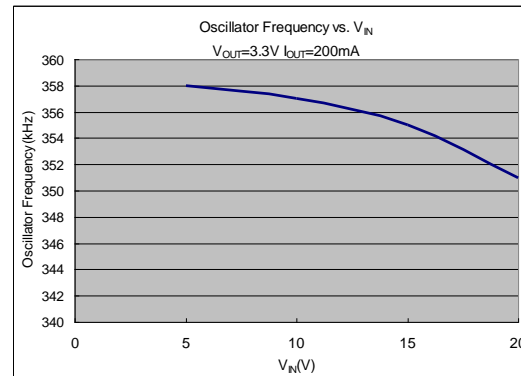
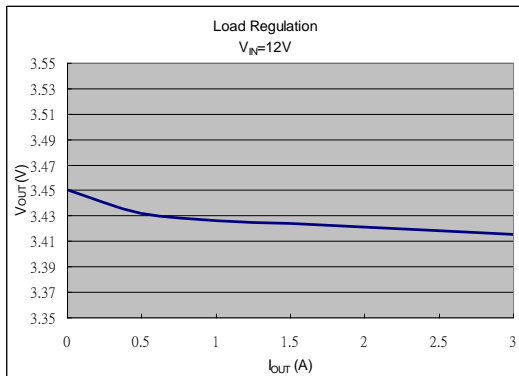
Parameter	Symbol	Conditions	Min.	Typ.	Max.	Unit
Supply Voltage	$V_{CC}$		3.6		23	V
Operating Temperature			-25		85	°C

## DC Electrical Characteristics ( $V_{CC}=6V, T_A = 25^\circ C$ , unless otherwise noted)

Parameter	Symbol	Conditions	Min.	Typ.	Max.	Unit
<b>Reference</b>						
Feedback Voltage	$V_{REF}$		0.784	0.8	0.816	V
Line Regulation	$\frac{\Delta V_{REF}}{V_{REF}}$	$V_{CC}=3.6V$ to $23V$		1	2	%
Load Regulation	$\frac{\Delta V_{REF}}{V_{REF}}$	$I_{OUT}=0A$ to $3A$		2		%
Feedback Voltage Change with Temperature	$\frac{\Delta V_{REF}}{V_{REF}}$	$T_A=-25^\circ C$ to $+85^\circ C$		1	2	%
<b>Oscillator Section</b>						
Oscillation Frequency	f	Measured from LX pin waveform		340		KHz
Short Circuit or Over Current Oscillation Frequency	$f_{SC}$	Measured from LX pin waveform		50		KHz
Frequency Change with Voltage	$\Delta f / \Delta V$	$V_{CC}=3.6V$ to $23V$		5		%
Frequency Change with Temperature	$\Delta f / \Delta T$	$T_A = -25^\circ C$ to $+85^\circ C$		5		%
<b>Idle Period Adjustment Section</b>						
Maximum Duty Cycle	$T_{DUTY}$	$V_{FB}=0.2V$		80		%
<b>Output Section</b>						
PMOS Switch Current	$I_{LX}$		-3			A
PMOS On Resistance	$R_{DS(ON)}$	$V_{CC}=4.5V$		70	95	mΩ
		$V_{CC}=10V$		50	60	mΩ
<b>Thermal Shutdown Section</b>						
Thermal Shutdown Temperature				+150		°C
<b>Over Current Protection Section</b>						
OCSET Bias Current	$I_{OCSET}$			40		μA
<b>Total Device Section</b>						
EN Pin Input Current	$I_{EN}$	$V_{EN}=2.5V$			20	μA
EN Pin On Threshold	$V_{UPPER}$	EN pin upper		1.1		V
EN Pin Off Threshold	$V_{LOW}$	EN pin low		0.85		V
EN Pin Hysteresis	$V_{HYS}$		150	250		mV
Supply Shutdown Current	$I_{SD}$	$V_{EN}=0V$		2	10	μA
Supply Average current	$I_{AVE}$			3	6	mA

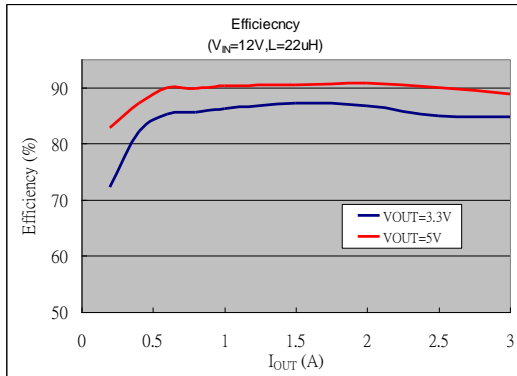
This datasheet contains new product information. Feeling Technology reserves the rights to modify the product specification without notice. No liability is assumed as a result of the use of this product. No rights under any patent accompany the sales of the product.

## Typical Operating Characteristics

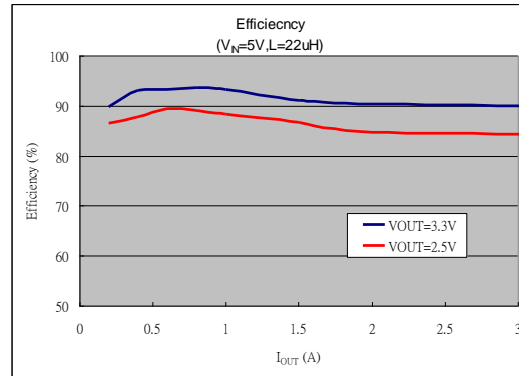


This datasheet contains new product information. Feeling Technology reserves the rights to modify the product specification without notice. No liability is assumed as a result of the use of this product. No rights under any patent accompany the sales of the product.

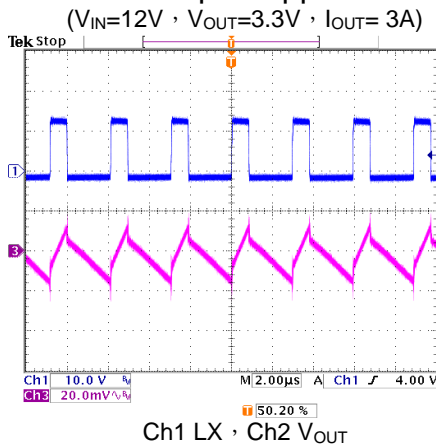
**Efficiency**



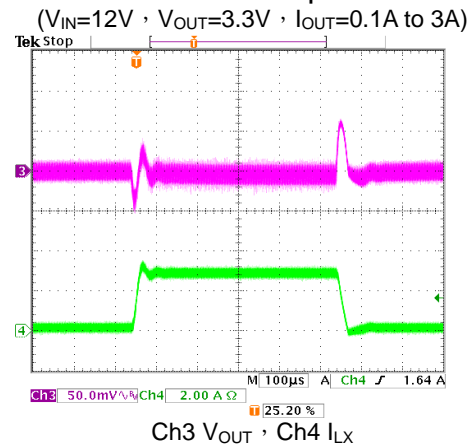
**Efficiency**



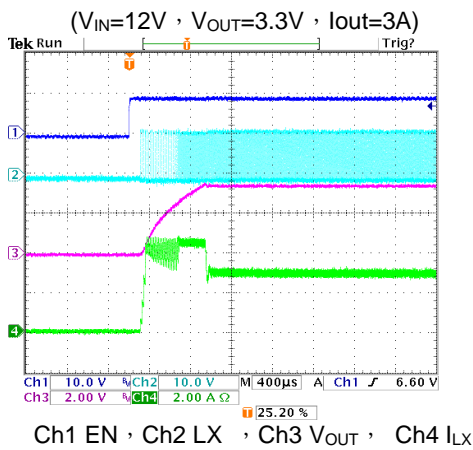
**Output Ripple**



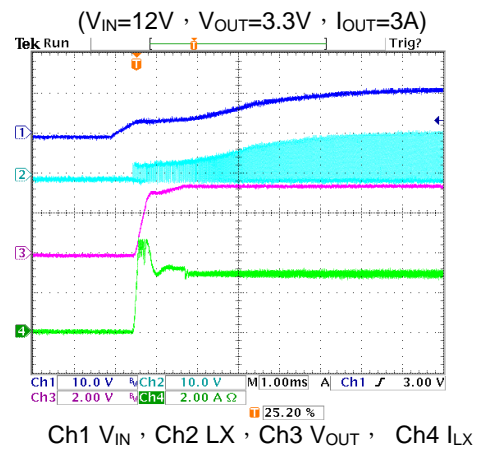
**Transient Response**



**EN on Test**



**Power on Test**



This datasheet contains new product information. Feeling Technology reserves the rights to modify the product specification without notice. No liability is assumed as a result of the use of this product. No rights under any patent accompany the sales of the product.

## Function Description

### Voltage Reference

A 2.5V reference regulator supplies FP6116 internal circuits and uses a resistive divider to provide 0.8V precision reference voltage on the non-inverting terminal of error amplifier.

### Error Amplifier

The error amplifier compares a sample of the DC-DC converter output voltage to the 0.8V ( $V_{REF}$ ) reference and generates an error signal for the PWM comparator. Output voltage of the DC-DC converter is setting by the resistor divider with following expression (see Fig. 1)

$$V_{OUT} = \left(1 + \frac{R_2}{R_1}\right) \times V_{REF}$$

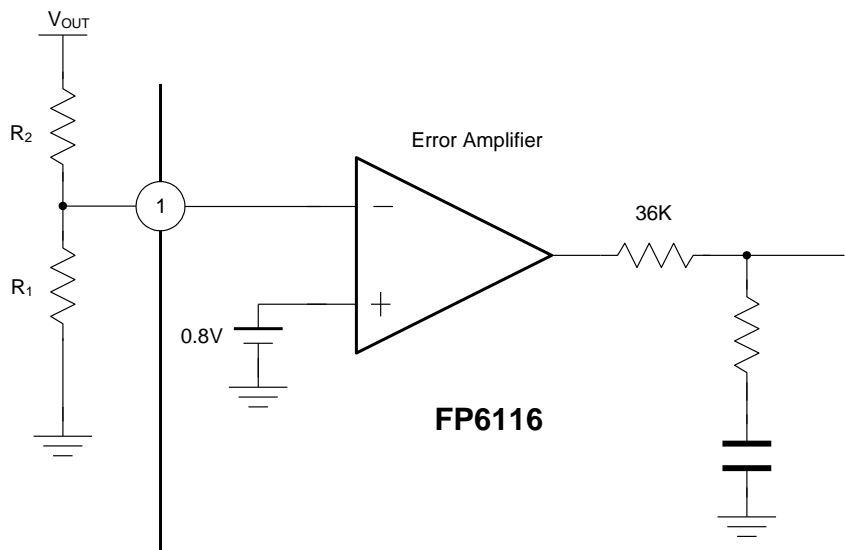


Figure 1 Error Amplifier with Feedback resistance divider

The recommended resistor value is summarized below:

$V_{OUT}$ (V)	$R_1$ (k $\Omega$ )	$R_2$ (k $\Omega$ )
1.8	2.4k	3k
2.5	3.2k	6.8k
3.3	1.5k	4.7k
5	2k	10.5k



### Oscillator

The fixed frequency is generated by an internal RC oscillator. Its typical value is 340KHz in normal operation and 50KHz in short circuit condition.

### Thermal Protection

When a heavy loading draws current from the regulator, the chip temperature will rise. Once the junction temperature exceeds 150°C, FP6116 thermal protection function will be triggered and the LX output will be turned off. When junction temperature is lower, FP6116 starts again and enable LX pin output.

### Over Current Protection

The FP6116 uses cycle-by-cycle current limit to protect the internal power switch. During each switching cycle, a current limit comparator detects if the power switch current exceeds the external setting current or not. Once over current occurs, chip will decrease the oscillator frequency to prevent from thermal issue. The current limit threshold is setting by external resistor ( $R_3$ ) which is connecting from  $V_{CC}$  to OCSET pin. An internal 40 $\mu$ A current sink which draws current from the resistor sets the voltage at pin OCSET. Please refer to the following formula for setting the current limit value:

$$I_{OCP} = \frac{I_{OCSET} \times R_3}{20m\Omega}$$

Here, 20m $\Omega$  is internal sense resistance.

Example:

$$I_{OCP} = \frac{40\mu A \times 2.2k}{20m\Omega} = 4.4A$$

## Application Information

### Input Capacitor Selection

The input capacitor must be connected between the  $V_{CC}$  and GND pin of the FP6116 to maintain steady input voltage and filter out the pulsing input current. The voltage rating of input capacitor must be greater than maximum input voltage plus ripple voltage.

In switch mode, the input current is discontinuous in a buck converter. The source current of the high-side MOSFET is a square wave. To prevent large voltage transients, a low ESR input capacitor sized for the maximum RMS current must be used. The RMS value of input capacitor current can be calculated by:

$$I_{RMS} = I_{O\_MAX} \sqrt{\frac{V_O}{V_{IN}} \left(1 - \frac{V_O}{V_{IN}}\right)}$$

It can be seen that when  $V_O$  is half of  $V_{IN}$ ,  $C_{IN}$  is under the worst current stress. The worst current stress on  $C_{IN}$  is  $I_{O\_MAX} / 2$ .

### Inductor Selection

The value of the inductor is selected based on the desired ripple current. Large inductance gives low inductor ripple current and small inductance result in high ripple current. However, the larger value inductor usually has a larger physical size, higher series resistance, and lower saturation current. On the experience, the value is to allow the peak-to-peak ripple current in the inductor to be 10%~20% maximum load current. The inductance value can be calculated by:

$$L = \frac{(V_{IN} - V_O) V_O}{f \times \Delta I_L} = \frac{(V_{IN} - V_O) V_O}{f \times [2 \times (10\% \sim 20\%) I_O]} V_{IN}$$

The inductor ripple current can be calculated by:

$$\Delta I_L = \frac{V_O}{f \times L} \times \left(1 - \frac{V_O}{V_{IN}}\right)$$

Choose an inductor that does not saturate under the worst-case load conditions, which is the load current plus half the peak-to-peak inductor ripple current, even at the highest operating temperature. The peak inductor current is:

$$I_{L\_PEAK} = I_O + \frac{\Delta I_L}{2}$$

The inductors in different shape and style are available from manufacturers. Shielded inductors are small and radiate less EMI issue. But they cost more than unshielded inductors. The choice depends on EMI requirement, price and size.

Inductor Value (μH)	Dimensions(mm)	Component Supplier	Model
10	10.3×10.3×4.0	FENG-JUI	TPRH10D40-10R
10	10.1×10.1×3.0	Sumida	CDRH104R
15	10.3×10.3×4.0	FENG-JUI	TPRH10D40-15R

### Output Capacitor Selection

The output capacitor is required to maintain the DC output voltage. Low ESR capacitors are preferred to keep the output voltage ripple low. In a buck converter circuit, output ripple voltage is determined by inductor value, switching frequency, output capacitor value and ESR. The output ripple is determined by:

$$\Delta V_O = \Delta I_L \times \left( \text{ESR}_{C_{OUT}} + \frac{1}{8 \times f \times C_{OUT}} \right)$$

Where  $f$  = operating frequency,  $C_{OUT}$  = output capacitance and  $\Delta I_L$  = ripple current in the inductor. For a fixed output voltage, the output ripple is highest at maximum input voltage since  $\Delta I_L$  increases with input voltage.

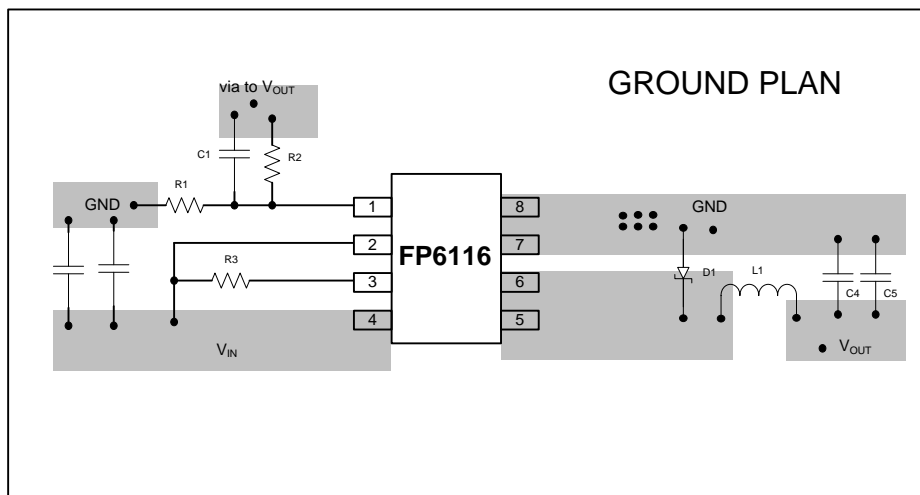
### Using Ceramic Input and Output Capacitors

Care must be taken when ceramic capacitors are used at the input and the output. When a ceramic capacitor is used at the input and the power is supplied by a wall adapter through long wires, a load step at the output can induce ringing at the input,  $V_{IN}$ . In best condition, this ringing can couple to the output and be mistaken as loop instability. In worst condition, a sudden inrush of current through the long wires can potentially generate a voltage spike at  $V_{IN}$ , which may large enough to damage the part. When choosing the input and output ceramic capacitors, choose the one with X5R or X7R dielectric formulations. These dielectrics have the best temperature and voltage characteristics of all the ceramics for a given value and size.

### PC Board Layout Checklist

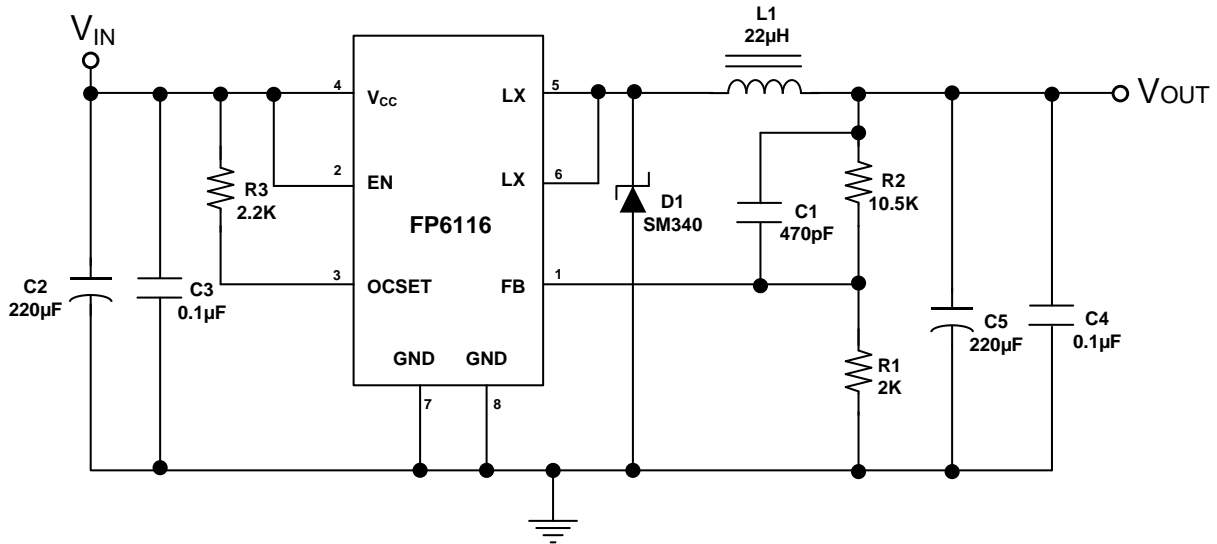
1. The power traces, consisting of the GND trace, the LX trace and the  $V_{IN}$  trace should be kept short, direct and wide.
2. Place  $C_{IN}$  near  $V_{CC}$  pin as closely as possible to maintain input voltage steady and filter out the pulsing input current.

3. The resistive divider  $R_1$  and  $R_2$  must be connected to FB pin directly as closely as possible.
4. FB is a sensitive node. Please keep it away from switching node LX. A good approach is to route the feedback trace on another layer and to have a ground plane between the top layer and the layer on which the feedback trace is routed. This reduces EMI radiation on to the DC-DC converter's own voltage feedback trace.
5. Keep the GND plates of  $C_{IN}$  and  $C_{OUT}$  as close as possible. Then connect this to the ground plane (if one is used) with several vias. This reduces ground plane noise by preventing the switching currents from circulating through the ground plane. It also reduces ground bounce at the FP6116 GND pin by giving it a low impedance ground connection.



Suggested Layout

## Typical Application



FP6116 Basic DC-DC Regulator Circuits

### For example:

The  $V_{IN}$  power supply is 12V and the  $V_{OUT}$  is designed for 5.0V / 3A solution.

The output voltage formula is:

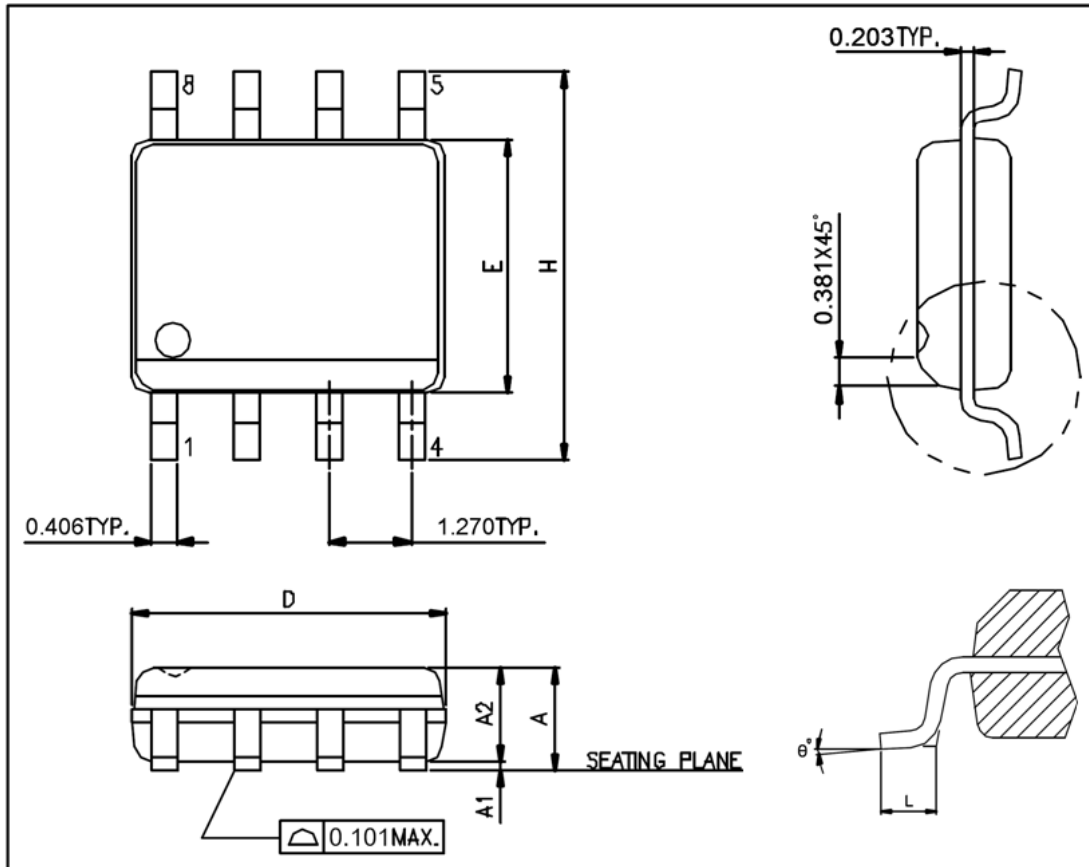
$$V_{OUT} = \left(1 + \frac{R_2}{R_1}\right) \times V_{REF} = \left(1 + \frac{10.5K\Omega}{2K\Omega}\right) \times 0.8V = 5.0V$$

### Notice:

1. Tapping reel aluminum foil bags after unpacking must be stored at  $\leq 10\%$  RH environment.
2. Tapping reel aluminum foil bags after unpacking must sure surface-mount is completed within 168 hours.

## Package Outline

SOP-8L



UNIT: mm

Symbols	Min. (mm)	Max. (mm)
A	1.346	1.752
A1	0.101	0.254
A2		1.498
D	4.800	4.978
E	3.810	3.987
H	5.791	6.197
L	0.406	1.270
$\theta^\circ$	0°	8°

### Note:

1. Package dimensions are in compliance with JEDEC Outline: MS-012 AA.
2. Dimension "D" does not include molding flash, protrusions or gate burrs.
3. Dimension "E" does not include inter-lead flash, or protrusions.

This datasheet contains new product information. Feeling Technology reserves the rights to modify the product specification without notice. No liability is assumed as a result of the use of this product. No rights under any patent accompany the sales of the product.